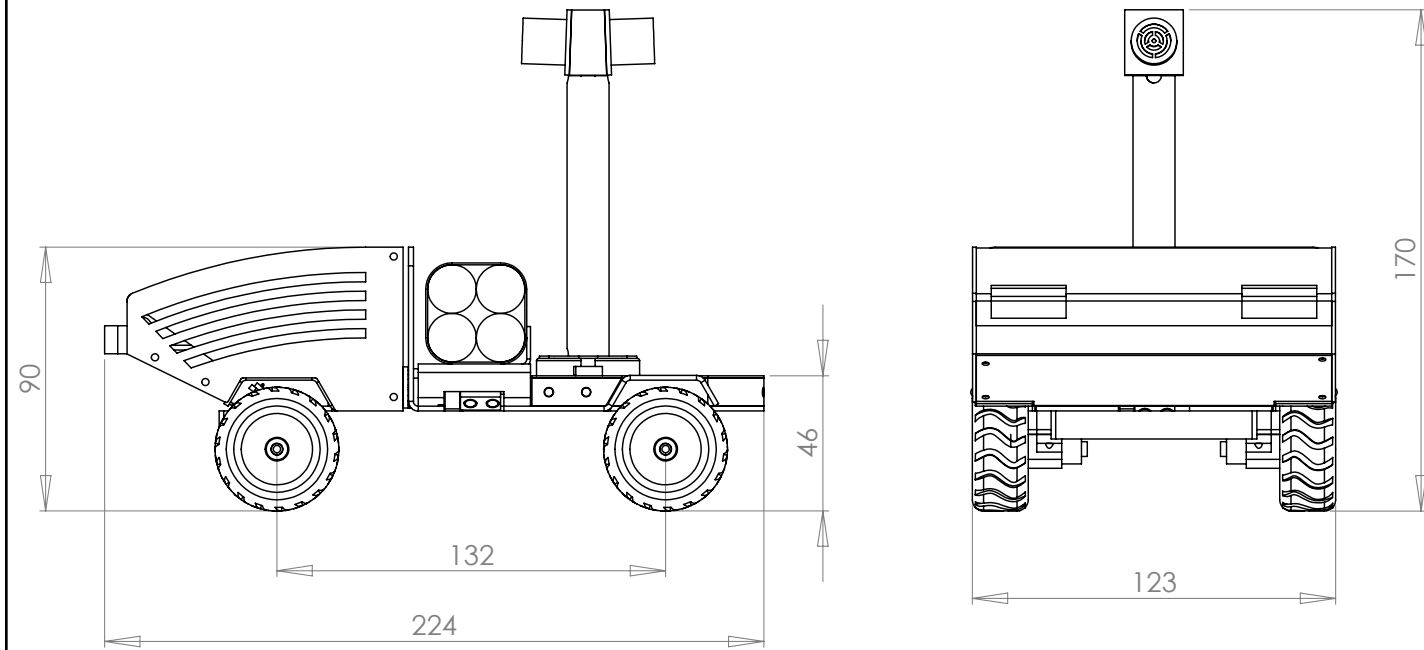


# COLONY SCOUT



# Colony Scout

**Overall Length:** 224mm  
**Overall Height:** 170mm  
**Weight (unloaded):** 850g





Project Colony  
[www.robotcolony.org](http://www.robotcolony.org)

# Colony Scout

1. Overview
2. Mechanical
  - 2.1. Attachment Points
    - 2.1.1. #4-40 Threaded Inserts
    - 2.1.2. 1/4" Bearing
  - 2.2. Clearances

Accessories should be designed to permit access to the rear charging contacts and homing beacons, and allow a clear line of sight from the sonar sensor to the robot's environment. In cases where the accessory must block the sonar rangefinder, this should be noted so the software can correctly interpret the incoming range data.
  - 2.3. Weight/Payload Considerations
3. Electrical
  - 3.1. Power
    - 3.1.1. Current Limits
  - 3.2. Data
    - 3.2.1. GPIO
    - 3.2.2. ADC
    - 3.2.3. I2C

# Colony Scout